



Scan for Website

Our Presence:



Carysil Limited

Navagam, Vartej 364 060,
Bhavnagar,
(Gujarat) India



Muscat Kitchen Appliances & Equipment Trading LLC

P.O.Box: 1, PC 112, Muscat,
Sultanate of Oman. CR NO: 1380163
Tel: +968 95980180



ALANI ALMUTAKAMELAH FOR TRADING COMPANY

AL ASRI BUILDING, TAKHASUSI STREET,
RIYADH, KSA

Tel: +966 (55) 523 5362

SAS BUILDING, QURAIISH STREET,
JEDDAH, KSA

CONTACT: +966 (50) 3005257

IK BUILDING, AL AMAMRA ST,
DAMMAM, KSA

CONTACT: +966 (50) 232 1141



Carysil UAE / Metallica Appliances L.L.C

Al Asmawi Building, Showroom no 207,
Sheikh Zayed, Dubai - U.A.E.
Tel: +971 (4) 258 1655 Tel: +971 (2) 667 3373



CARYSIL ANKASTRE SİSTEMLERİ TİCARET LİMİTED ŞİRKETİ

Istanbul, Turkey
Email : s.chopra@carysil.com
Tel:



Carysil Products Ltd.

Crossley Stud Farm, Buxton Road, Congleton,
Cheshire, United Kingdom, CW12 2PN

Carysil Surfaces Ltd,

Unit A Azalea Close, Somercotes,
Alfreton, Derbyshire, DE554QX



Carysil GMBH

Hahnenkamp 1, 22765
Hamburg, Germany

CARYSIL

LIFESTYLE SINKS & BUILT-IN APPLIANCES

2024

The Heart of every home is its kitchen and
the heart of every kitchen is **CARYSIL**

INDEX

01 Our Story

02 Linear Collection

03 Microwave

04 Hobs

05 Electric Hobs

06 Freestanding Cooker

07 Cooling line

08 Wine Cooler

09 Dish Washer & Food Waste Disposer

10 Hoods

11 Kitchen Sinks

12 Stainless Steel Kitchen Sinks

13 Mixer

OUR STORY

In 1987, the Late Shree Ashwin M. Parekh founded the Carysil Group, then known as Acrysil Group, with a vision to revolutionize kitchen solutions. Through collaboration with Schock & Co., the company introduced their first German-engineered sink, launching the Carysil brand. In just a few years, Carysil stood out as a global pioneer, crafting quartz kitchen sinks that harmonized aesthetics, innovation, and technology, meeting international standards. Since 1993, Chairman & Managing Director Mr. Chirag A. Parekh propelled Carysil to a premier global kitchen brand and a renowned leader in quartz kitchen sinks. The brand grew over three decades, becoming a household name in India and globally. In 2022, to further cement the company's position as a global player and align the company image with its most recognized brand, the company decided to undergo a re-branding and became CARYSIL LTD, reinforcing its subsidiaries' identities too. Over the years, Carysil diversified beyond sinks, evolving into a global lifestyle brand. Its portfolio now spans stainless steel sinks, faucets, built-in appliances, and more. The brand is driven by values of innovation, sustainability and technology. Carysil's sustainable mission materialized in the world's first Green Sink, crafted from 100% bio-based filler, incorporating natural pigments. The Super X Granite Sink, another breakthrough, boosted sink strength by 70%, demonstrating Carysil's drive for innovation. The brand's pursuit of kitchen innovation earned CMD Chirag Parekh the ET Inspiring Indian Award. The Carysil brand has garnered worldwide trust, particularly in India with a vast network of 3000+ dealers. Acquisitions like Homestyle Products, Sylmar Technology Ltd and The Tap Factory Ltd in the UK have expanded the brand's reach and portfolio, fortifying its market presence and technological prowess.





TIMELESS BEAUTY

CLASSIC COLLECTION



LINEAR COLLECTION



LINEAR COMBI OVEN MICROWAVE

Code : LI OM 45 KNBG



Features

- | | |
|---|--------------------|
| • Oven Volume (litres) | 44L |
| • Thermo-insulative Door (GLASSES N°) | 3 |
| • Door Hinges | Bottom-2Piece |
| • Microwave Distribution | Turntable |
| • Turntable Diameter (mm) | 360mm |
| • Under Counter Installation | Yes |
| • Auto Menu | 13 |
| • Defrost by Weight | Yes |
| • Electronic Clock | Yes |
| • Combine Cooking Type | 4 |
| • Cooking Type | 9 |
| • Cooking End Signal | Yes |
| • Overheat Protection | Yes |
| • Short-circuit Protection | Yes |
| • Child Lock | Yes |
| • Appliance (WxDxX, in mm, w/o Front projection,w/o handle) | 595x568x454mm |
| • CCC:220V,50Hz | Yes |
| • Microwave + Fan Grill (W) | E/F:3350; C/B:3200 |

LINEAR GAS OVEN

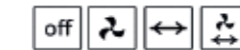
Code : LI OV GS 90 5F BG

90cm



Features

- Gas Oven
- Function 4
- Touch Screen LED Timer
- Bottom Inox Stripe
- Turnspit
- Easily detachable side
- 4 levels racks
- Deep Tray 1
- Tray Rack 1
- WxDxH : 896x565x595mm



Options

- Pop-up Knobs
- Catalytic Panel
- Black and White Painted Panel
- Function 10
- Telescopic Rail
- A Energy Efficiency Class

LINEAR ELECTRIC OVEN

Code : LI OV EL 90 9F BG

90cm

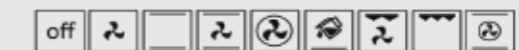


Air Fryer Feature



Features

- Electric Oven
- Function 8
- Touch Screen LED Timer
- Turnspit
- Easily detachable side
- Racks 4 levels
- Deep Tray 1
- Tray Rack 1
- WxDxH : 896x565x595mm



Options

- Pop-up Knobs
- Catalytic Panel
- A Energy Efficiency Class

LINEAR ELECTRIC OVEN

Code : LI OV EL 60 9F BG

60cm



Air Fryer Feature



Features

- Electric Oven
- Function 8
- Digital Touch LED Timer
- 1 Std Rack, 1 Tray Rack
- WxHxD : 595x595x545mm

Options

- E80 lt Cavity Option
- Catalytic back / side wall
- Pop-up knobs
- Function 8,10,9
- Level Telescopic Rails 1/2
- Easily detachable side racks
- Gray enamel
- A Energy Efficiency Class
- Triple Glazed, Full Glass without frame
- LINEAR Electric Oven
- Triple Glazed, Full Glass
- Without frame, Easy Remove
- 90cm
- 60cm
- Air Fryer Feature
- Linear Collection

MICROWAVE



LINEAR 3 4 MICROWAVE

Code :LI MW 38 TC BG



Features

- Oven Volume (litres) 34L
- Touch Control Yes
- ECO Mode Yes
- Grill + Microwave Yes
- Defrost Menu Yes
- Healthy Menu Yes
- Dropdown Handle Yes
- Black steel Design Yes
- Turntable Size 345mm
- Microwave Output Power 900W
- Grill Power: 1100W 1100W
- Product (W x H x D, mm) 596x382x456

LINEAR WARMING DRAWER14CM

Code : BI WD 60 BG



Features

- Cavity Material Stainless steel
- Appearance Material Stainless steel
- Interior volume (litres) 22L
- Operating indicator light Background light
- Interior light N.A
- Heating stops when open By Magnetic proximity switch
- Extension
- Temperature control Full-extension(350mm)
- Type of control setting and signalling devices Thermistor
- Drawer heating plate Touch Screen
- Adjustable temperature range Stainless Steel 40-80°C (20L)
- Usable Cavity
- Dimensions(HxWxD) (mm) 88.5x526,5x420mm
- SAA: 230V-240V,50Hz N.A

LINEAR25 MICROWAVE

Code :LI MW 25 TC BG

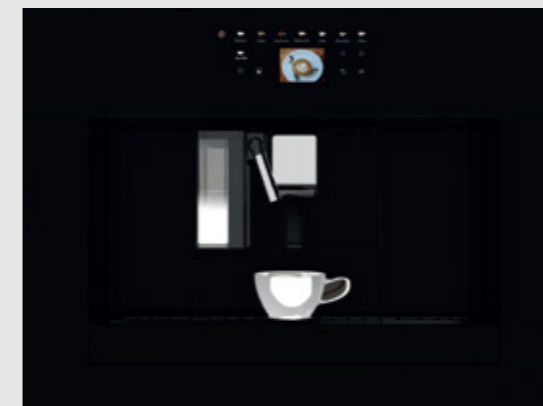


Features

- Volume (litres) 25L
- Touch Control Yes
- ECO Mode Yes
- Function Microwave & Grill Function
- Auto Menus 8
- Cooking End Signal Yes
- Child Safety Lock Yes
- Glass Turntable 315mm
- Turntable Size 345mm
- Microwave Output Power 900W
- Grill Input Power: 1100W 1000W
- Product (WxHxD,mm) 382mm*388*594

LINEAR COFFEE MACHINE

Code :LI CF 45 TFT



Features

- Product category Built-in coffee machine
- Door opening Lateral push-pull
- Type of Display Full touch control display
- Type of Light LED
- Programs On-Off, Coffee (Espresso, Small, Medium, Large, Mug)
- Coffee Strength (Extra-strong, strong, medium, light, extra-light)
- Cappuccino, Pregound Coffee, Hot Water
- Rinsing Single or double
- Cup coffee emanation: Yes
- Delivery of hot water and steam: Yes
- Capacity of Water Tank (litres) 1,0
- Removable drip tray (litres) 0,5

CLASSIC COLLECTION



RUSTIC CLASSIC OVEN 90CM

Code : RO OV EL 90 9F GF



Features

- ELECTRIC Oven
- ELECTRIC Grill + Fan
- Black Rustic Panel 90cm
- Analogue Reminder
- Knob Automatic Ignition
- Triple Glazed, Full Glass without frame, Easy Remove
- Brushed Rustic Handle + Knobs
- Side Wire Rack
- Deep Tray 1, Tray Rack 1
- WxDxH : 896x565x595mm

Options

- Electrical Grill
- Catalytic Side Wall
- Self Cleaning
- 8 Function

RUSTIC CLASSIC OVEN 60CM

Code : RO OV EL 60 9F GF



- ELECTRIC Oven
- ELECTRIC Grill + Fan
- cm Black Rustic Panel 60
- Analogue Reminder
- Knob Automatic Ignition
- Triple Glazed, Full Glass without frame Easy Remove
- Brushed Rustic Handle + Knobs
- Side Wire Rack
- Deep Tray 1, Tray Rack 1
- WxDxH : 595x565x595mm

- Electrical Grill
- Catalytic Side Wall
- Catalytic (Self Cleaning)
- A Energy Efficiency Class
- 8 Function

RUSTIC CLASSIC MICROWAVE

Code:RO MW 38 TC GF



- Oven Volume (litres)
- Control type
- Display
- Grill Power
- Microwave Power
- Appliance (HxWxD, not incl Front projection, w/o handle)
- Power supply

- 25L
- Touch Control
- LED
- 1000W
- 900W
- 388x595x400mm
- 230V/50Hz

HOBS



LINEAR GAS ON GLASS HOB 60CM

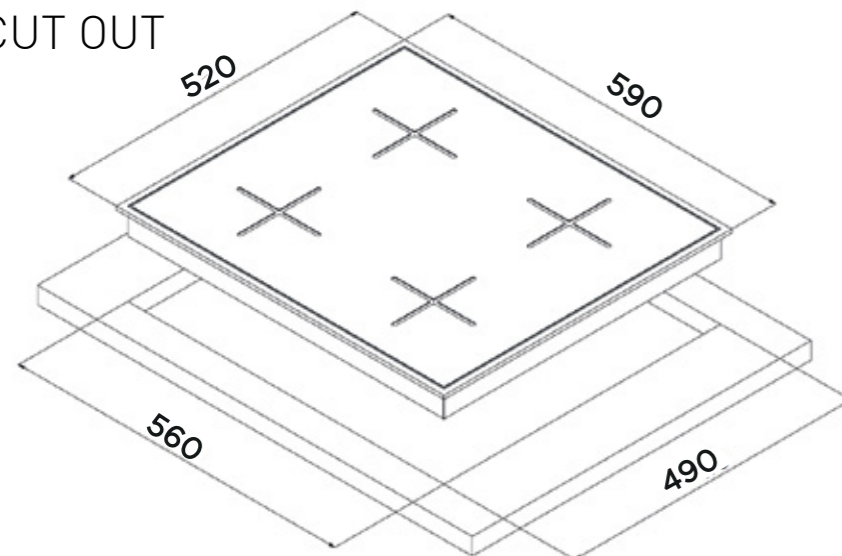
Code : LI HO GG 60 4Z BK



Features

- 60cm (bottom cutting size is 56 cm)
- Built In Glass Gas Hob with Black Aluminum Frame
- Tempered Glass / Glass thickness 8 mm
- Sabaf burners & valves
- Rapid burner: 1x3,00 kW
- Semi rapid burner: 2x1,75 kW
- Auxiliary burner: 1x1kW
- Cast iron pan supports (P21)
- Matte enameled burner caps (Burner cap thickness 4mm & LPG Gas adjusted + NG converting kit)
- FFD (Flame Failure Device)
- Front control with Matte Black knobs I07
- Under knob automatic ignition
- English type cable
- Voltage 220 - 240 V

CUT OUT



LINEAR GAS ON GLASS HOB 90CM

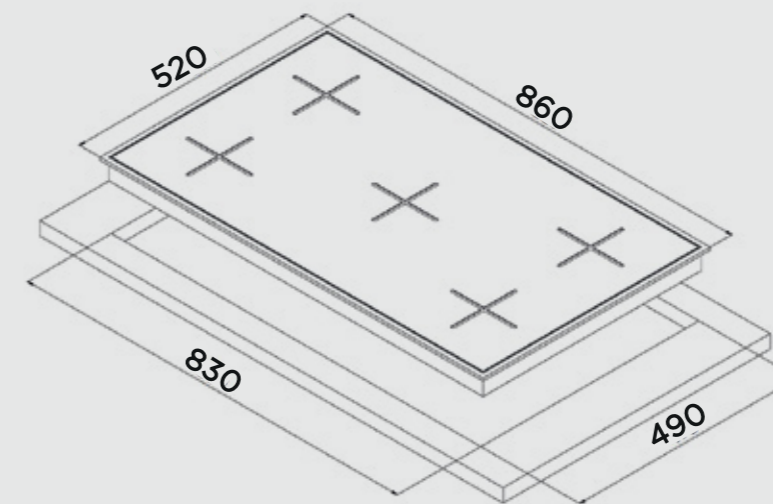
Code : LI HO GG 90 5Z BG



Features

- 90 cm Built In Glass Gas Hob (bottom cutting is 83 cm) with Black Aluminum Frame
- Tempered Glass / Glass thickness 8 mm
- Sabaf burners & valves
- Wok burner: 1x 4,0 kW
- Rapid burner: 1x3,00 kW
- Semi rapid burner: 2x1,75 kW
- Auxiliary burner: 1x1kW
- Cast iron pan supports (P21) & Matte enameled burner caps (Burner cap thickness 4mm)
- LPG Gas adjusted (+ NG converting kit)
- FFD (Flame Failure Device)
- Front control with Matte Black knobs I07
- Under knob automatic ignition,
- English type cable, Voltage 220 - 240 V

CUT OUT

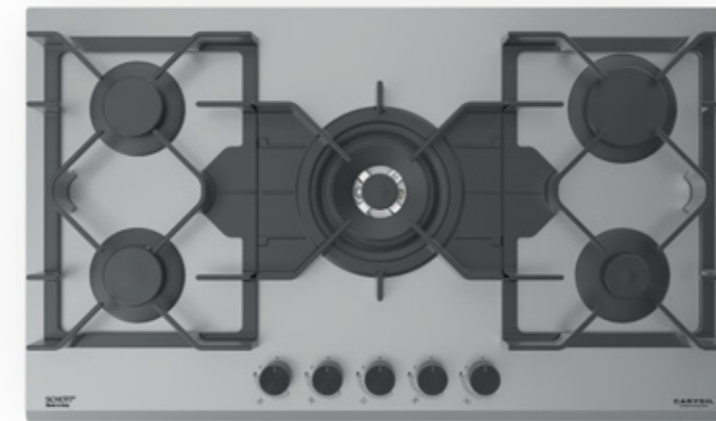


HOBS



LINEAR GAS ON GLASS HOB 90CM

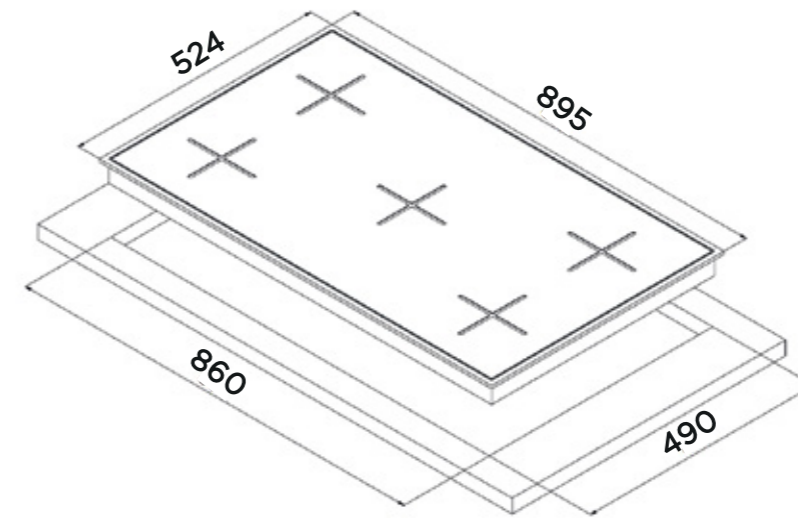
Code : LI HO GG 90 5Z BG



Features

- 92cm Built In Stainless steel Gas Hob bottom
- cutting size is 86cm
- 304 mm / Grade AISI 0,7 Stainless steel thickness
- Sabaf burners & valves
- kW 1x3,8 :Wok burner
- kW 1x3,00 :Rapid burner
- kW 2x1,75 :Semi rapid burner
- 1x1kW :Auxiliary burner
- Cast iron pan supports (P40)
- Matte enameled &
- 4mm burner caps (Burner caps thickness)
- LPG Gas adjusted (+ NG converting kit)
- FFD (Flame Failure Device)
- Front control with Matte Black knobs I07
- Under knob automatic ignition
- V 240 - 220 English type cable,Voltage

CUT OUT



TITANIUM GLASS GAS HOB 90CM

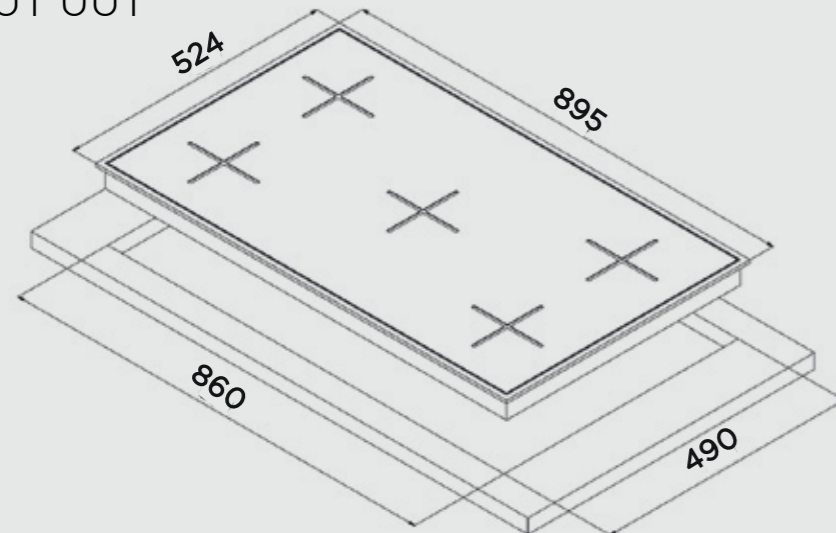
Code : TI HO GS 90 5Z TG



Features

- 90 cm Built In Titanium Glass Gas Hob (bottom cutting size is 86 cm)
- Tempered Glass / Glass thickness 8 mm
- Sabaf burners & valves
- Wok burner: 1x 3,8 kW
- Rapid burner: 1x3,00 kW
- Semi rapid burner: 2x1,75 kW
- Auxiliary burner: 1x1kW
- Cast iron pan supports (P35) & Matte enameled burner caps (Burner cap thickness 4mm)
- LPG Gas adjusted (+ NG converting kit)
- FFD (Flame Failure Device)
- Front control with Matte Black knobs I07
- Under knob automatic ignition,
- English type cable,Voltage 220 - 240 V

CUT OUT



RUSTIC CLASSIC GAS HOB

Code:R0 HO GS 90 5Z GF

Code:R0 HO GS 60 5Z GF



ELECTRIC HOBS



VITROCERAMIC ELECTRIC HOB 90cm

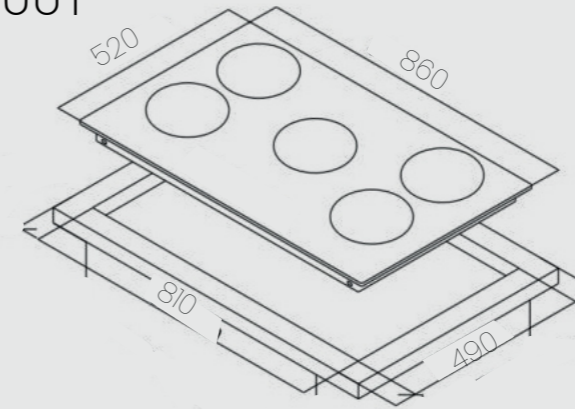
Code : VC HO EL 90 5Z BG



Features

- 90 cm - Vitroc ceramic Glass
- 5 highlight zones
- Touch Control
- 9 Power Levels
- Child Lock
- Safety Lock
- Residual Heat Indicators
- Front Control
- Automatic Safety Cut-Out
- Front Right 1200 W
- Front Left 700-1700 W
- Rear Right 1800 W
- Rear Left 1200 W
- Middle Double Oven Cook 1000-1800 W

CUT OUT



VITROCERAMIC ELECTRIC HOB 30cm

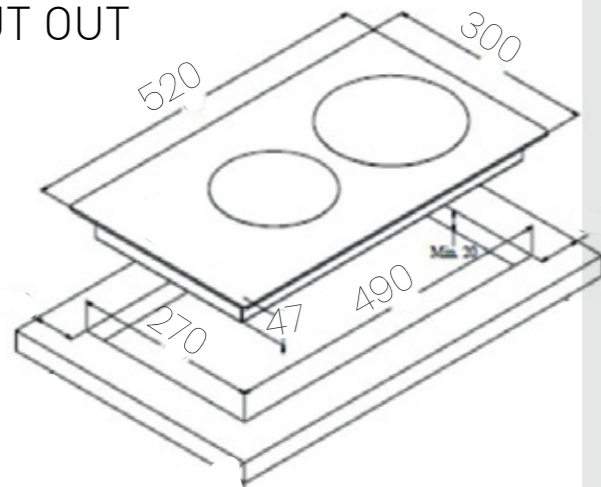
Code : VC HO EL 30 2Z BG



Features

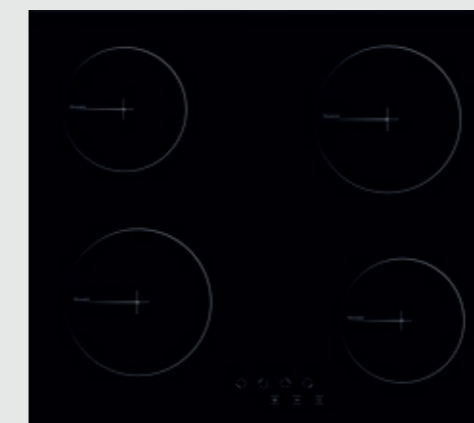
- 30 cm - Vitroc ceramic Glass
- 2 highlight zones
- Touch Control
- 9 Power Levels
- Child Lock
- Safety Lock
- Residual Heat Indicators
- Front Control
- Automatic Safety Cut-Out
- 1 x 1200 W
- 1 x 700-1700 Double Circuit Cook Zone W

CUT OUT



VITROCERAMIC ELECTRIC HOB 60cm

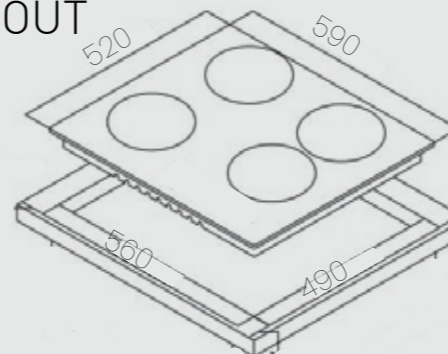
Code : VC HO EL 60 4Z BG



Features

- 60 cm - Vitroc ceramic Glass
- 4 highlight zones
- Touch Control
- 9 Power Levels
- Child Lock
- Safety Lock
- Residual Heat Indicators
- Front Control
- Automatic Safety Cut-Out
- 2 x 1200 W
- 1 x 1800 W
- 1 x 1700 W / 700W Dual

CUT OUT



FREESTANDING COOKER



LINEAR SEMI PROFESSIONAL COOKER

Code : VC HO EL 90 5Z BG

Standard Features

- 4 Gas Burners + 1 Wok + Gas Oven
- Double Turbo Fan With Circular Heater
- Knob Integrated Electronic Ignition
- Digital Reminder
- Splashback
- Side Wire Rack System
- Sabaf Burner Set
- Cast Iron Pan Supports
- Wok Adaptor
- Telescopic Inox Painted
- 1 Deep Tray, 1 Wire Grid, 1 Trivet Grid
- Colour: Inox
- Dimensions: 90 x 65 x 95,5 cm

Optional Features

- Removable Triple Glass Oven Door
- Catalytic Side Panels
- Flotal Oven Door Glass

COOLING LINE



BULT-IN COMBI REFRIGERATOR

BI CF NF 60 DC

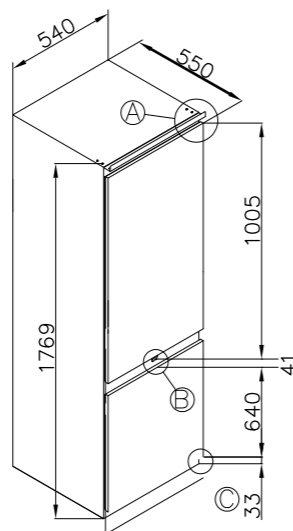
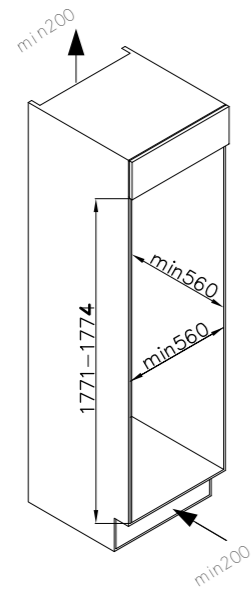


Features

- Total Net Volume 241L
- Fridge Net Volume 177L
- Freezer Net Volume 64L
- Control Display Type LED
- Auto Defrost YES
- Safety Glass Shelves 4
- Fan Ventilation YES
- Supply Voltage, V/Hz 60Hz~230/50
- Rated Current, A 0.8
- Noise Level, dBA 41db
- Product Dimension HxWxD mm 1769x540x550mm
- Cooling System Frost Free Cooling



NO FROST



REFRIGERATOR 75 COMBI

BI CF NF 75 DC

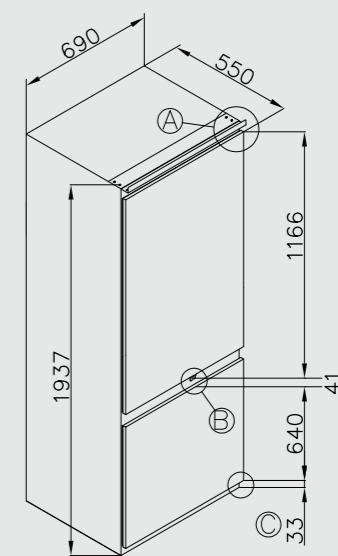
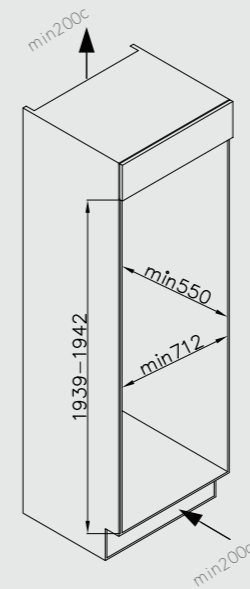


Features

- Total Net Volume 341L
- Fridge Net Volume 257L
- Freezer Net Volume 84L
- Control Display Type LED
- Auto Defrost YES
- Safety Glass Shelves 42
- Crispers YES
- Fan Ventilation 60Hz-230/50
- Supply Voltage, V/Hz 0.8
- Rated Current, A 41db
- Noise Level, dBA 1930x690x550mm
- Product Dimension HxWxD mm Frost Free Cooling
- Cooling System



NO FROST



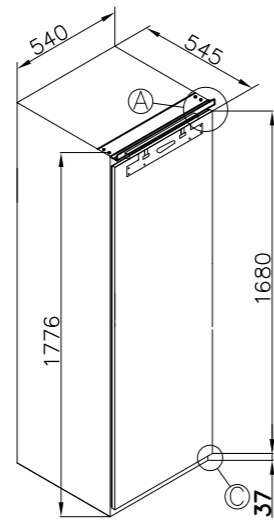
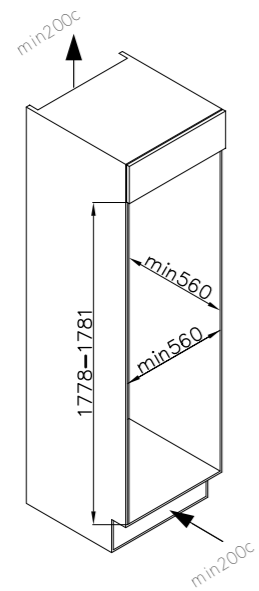
BULT-IN FULL FRIDGE

BI FR NF 60 DC



Features

- Total Net Volume 285L
- Control Display Type LED
- Auto Defrost YES
- Safety Glass Shelves 4+1
- Fan Ventilation YES
- Supply Voltage, V/Hz 60Hz~230/50
- Rated Current, A 0.8
- Noise Level, dBA 41db
- Product Dimension HxWxD mm 1769x540x550mm
- Cooling System Frost Free Cooling
- Super cooling function YES



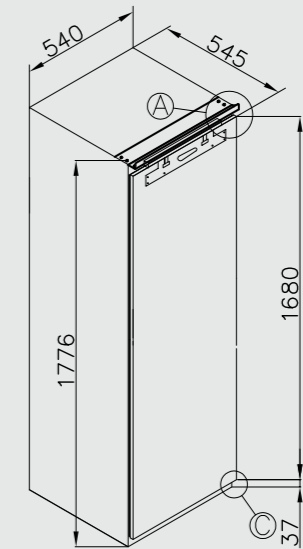
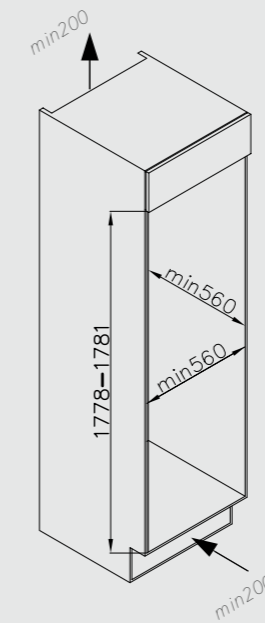
BULT-IN FULL FREEZER

BI FZ NF 60 DC



Features

- Total Net Volume 200L
- Control Display Type LED
- Auto Defrost YES
- Safety Glass Shelves 4
- Fan Ventilation YES
- Supply Voltage, V/Hz 60Hz~230/50
- Rated Current, A 0.8
- Noise Level, dBA 41db
- Product Dimension HxWxD mm 1769x540x550mm
- Cooling System Frost Free Cooling



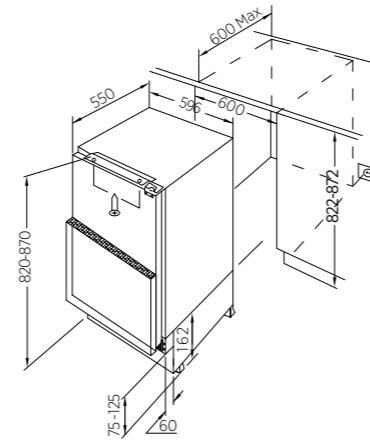
BUILT-IN UNDER FRIDGE

BI UR DF 60 AC



Features

- Total Net Volume 135L
- Control Display Type LED
- Frost Free YES
- Safety Glass Shelves 4+1
- Fan Ventilation YES
- Supply Voltage, V/Hz 60Hz~230/50
- Rated Current, A 0.8
- Noise Level, dBA 40db
- Product Dimension HxWxD mm 820x596x550mm
- (Product Weight)(kg) 57kg
- Cooling System Frost Free Cooling
- Super cooling function YES



REFRIGERATOR 90 COMBI

BI CF NF 90 DC



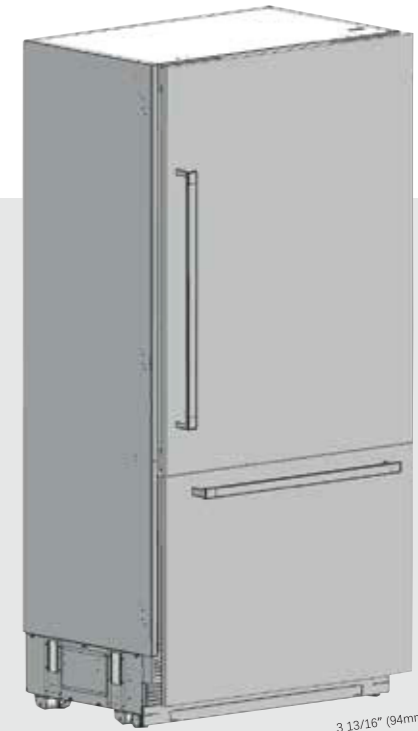
Features

- Total Net Volume 558L
- Fridge Net Volume 402L
- Freezer Net Volume 156L
- Control Display Type LED
- Auto Defrost YES
- Safety Glass Shelves 42
- Crispers YES
- Fan Ventilation 60Hz~230/50
- Supply Voltage, V/Hz 0.8
- Rated Current, A 40db
- Noise Level, dBA 2120x910x590mm
- Product Dimension HxWxD mm Frost Free Cooling
- Cooling System



Premier Electronic Control Total No-frost Water dispenser Ice marker

without panel : 23 5/16 (592mm)



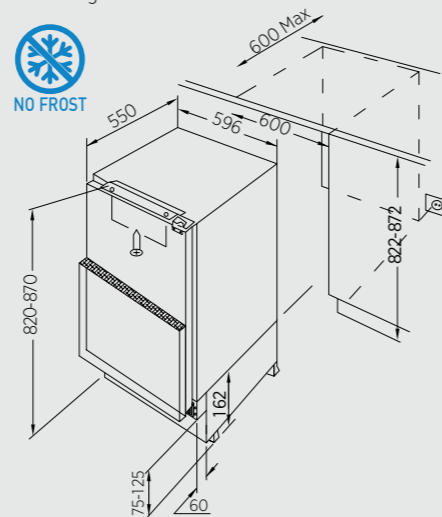
BUILT-IN UNDER FREEZER

BI UZ DF 60 AC



Features

- Total Net Volume 95L
- Control Display Type LED
- Frost Free YES
- Safety Glass Shelves 4+1
- Fan Ventilation YES
- Supply Voltage, V/Hz 60Hz~230/50
- Rated Current, A 0.8
- Noise Level, dBA 40db
- Product Dimension HxWxD mm 820x596x550mm
- (Product Weight)(kg) 57kg
- Cooling System Frost Free Cooling
- Super cooling function YES



3 13/16" (94mm)

28 11/16 (729mm)

51 1/16 (1297mm)

83 9/16 (2123)

39 1/16 (2123mm)

WINE COOLER



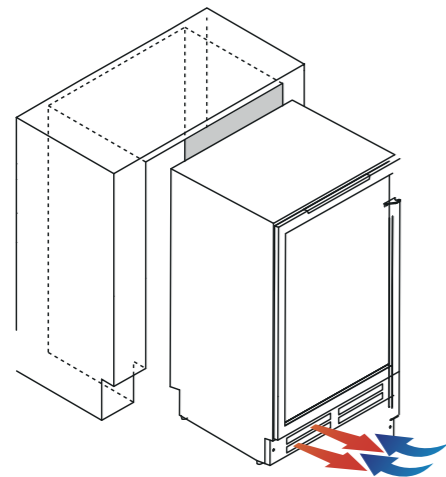
WINE COOLER 60CM

Code:AVU53TDZB1



Features

- 20 wines + 75 cans
- Cross Volume 140 L
- Dual zone service wine cellar
- 5 wooden shelf + 4pcs wire shelf
- Compressor with fan cooling
- LED Light Blue
- Anti UV and glass light brown glass
- Adjustable temperature 5 - 12 °C / 16 - 38 °C
- 220-240v/50HZ
- W 595 x D 621 x H 870 mm



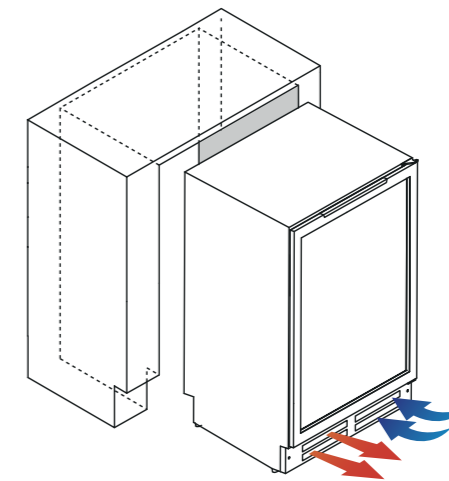
WINE COOLER 40CM

Code:AVU27TDZB1



Features

- 24 bottles
- Cross Volume 80 L
- Dual zone service wine cellar
- 6 wooden shelf
- Compressor with fan cooling
- LED Light Blue
- Anti UV and glass light brown glass
- Adjustable temperature 5 - 12 °C / 12 - 20 °C
- 220-240v/50HZ
- W 395 x D 545 x H 875 mm



DISH WASHER

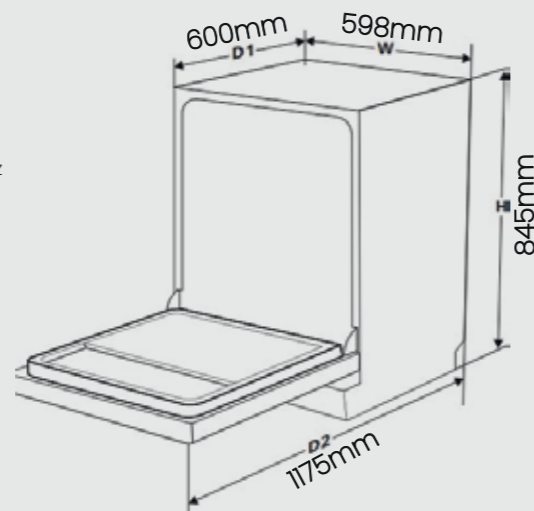


BUILT IN UNDER COUNTER DISH WASHER

BI DW 60 6P 13 49

Features

- Control Display Type
- Place
- Energy Class
- Programs
- Supply Voltage, V/Hz
- Noise Level, dBA
- Product Dimension HxWxD mm
- Basket
- LED
- 13+
- +A
- 6
- 220-240v/50hz
- 55db
- 870x598x570
- 3



FOOD WASTE DISPOSER

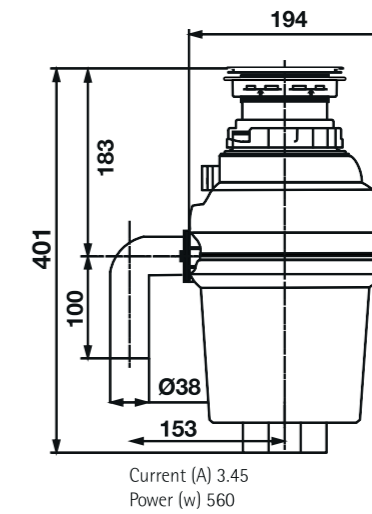
HEAVY DUTY 3/4 HP FOOD WASTE DISPOSER

Hopper Capacity :1070 ml



Features

- Permanent Magnet DC Motor and Low Noise
- High-speed dynamic balanced armature
- 2500 R.P.M. Motor
- Multi-functional stopper
- Corrosion proof grinding components
- Stainless Steel wear-resistant
- High strength plastic structure





HOODS

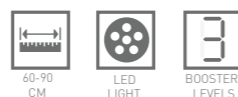
5501X-90

Inox

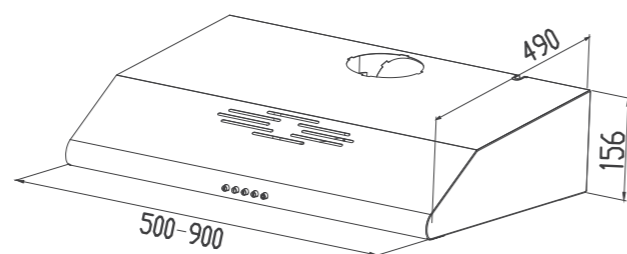


MAIN FEATURES

- 90 cm Free Standing Cooker Hood
- 1 motor-280m³ /h
- Push Button Control
- 3 Speed
- 1x5 Watt LED Lamp
- Lamp Cover



COLOR OPTIONS



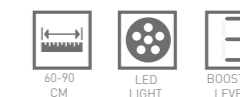
SD54 - 90

Inox

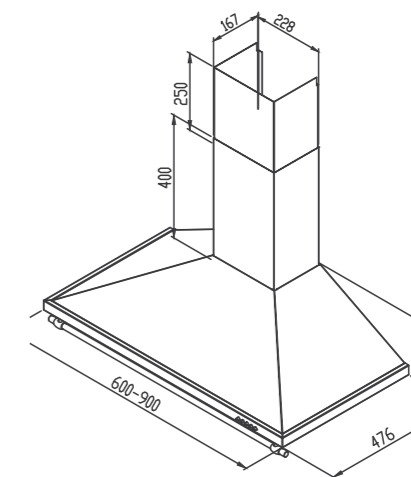


MAIN FEATURES

- 90 cm Free Standing Cooker Hood
- 1 motor-280m³ /h
- Push Button Control
- 3 Speed
- 1x5 Watt LED Lamp
- Lamp Cover



COLOR OPTIONS



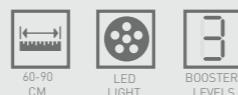
5501X-60

Inox

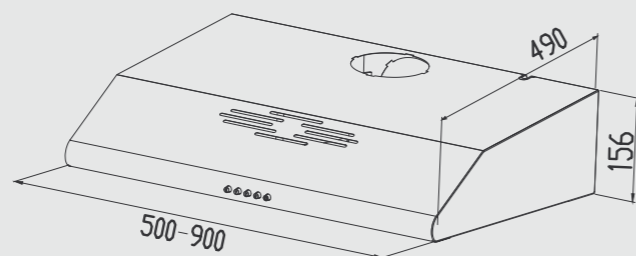


MAIN FEATURES

- 60 cm Free Standing Cooker Hood
- 1 motor-280m³ /h
- Push Button Control
- 3 Speed
- 1x5 Watt LED Lamp
- Lamp Cover



COLOR OPTIONS



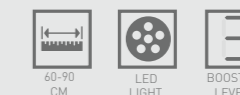
LD35-90

Inox

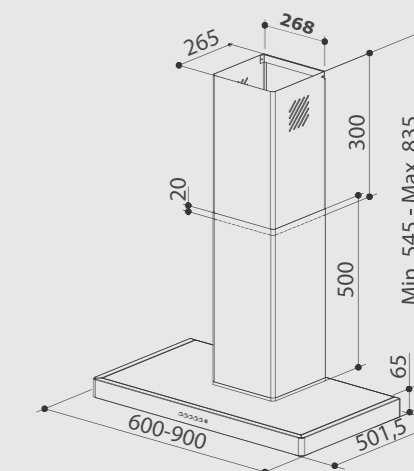
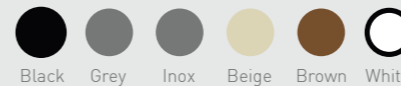


MAIN FEATURES

- 60 cm Free Standing Cooker Hood
- 1 motor-280m³ /h
- Push Button Control
- 3 Speed
- 1x5 Watt LED Lamp
- Lamp Cover



COLOR OPTIONS

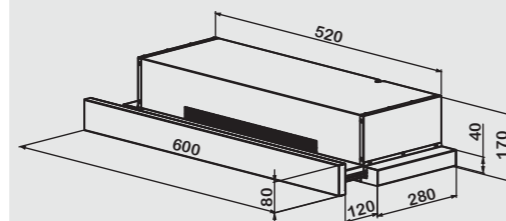


MOVE BLACK 60CM



MAIN FEATURES

- 60 cm Wall-type Chimney Hood
- Touch Control
- 3 Speed
- 2x1 Watt Mini LED Spots
- Stainless Steel Professional Buffer Filter Type
- 150 mm Air Outlet
- Double Chimney
- Noise Level: min 57dB-max 67dB
- Free Flow Extraction Power: 1000 m³/h-Motor 200 Watt

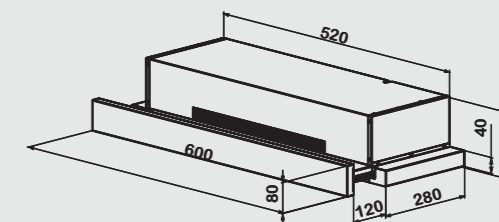
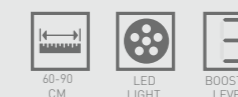


MOVE STEEL 60CM



MAIN FEATURES

- 60 cm Wall-type Chimney Hood
- Touch Control
- 3 Speed
- 2x1 Watt Mini LED Spots
- Stainless Steel Professional Buffer Stainless Steel Professional Buffer
- Filter Type
- 150 mm Air Outlet
- Double Chimney
- Noise Level: min 57dB-max 67dB
- Free Flow Extraction Power: 1000 m³/h-Motor 200 Watt

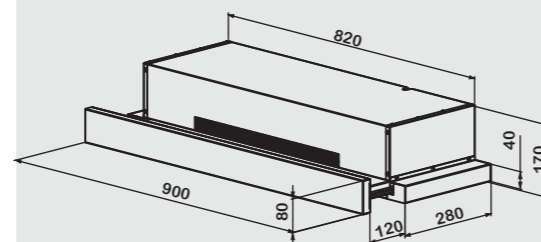
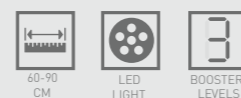


MOVE BLACK 90CM



MAIN FEATURES

- 90 cm Wall-type Chimney Hood
- Touch Control
- 3 Speed
- 2x1 Watt Mini LED Spots
- Stainless Steel Professional Buffer Filter Type
- 150 mm Air Outlet
- Double Chimney
- Noise Level: min 57dB-max 67dB
- Free Flow Extraction Power: 1000 m³/h- Motor 200 Watt

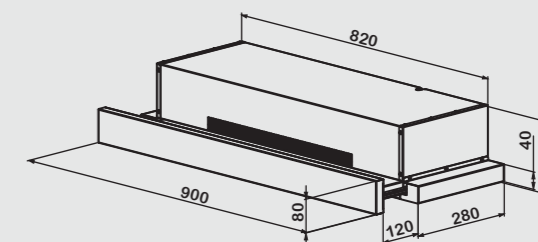
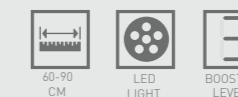


MOVE STEEL 90CM



MAIN FEATURES

- 90 cm Wall-type Chimney Hood
- Touch Control
- 3 Speed
- 2x1 Watt Mini LED Spots
- Stainless Steel Professional Buffer Filter Type
- 150 mm Air Outlet
- Double Chimney
- Noise Level: min 57dB-max 67dB
- Free Flow Extraction Power: 1000 m³/h-Motor



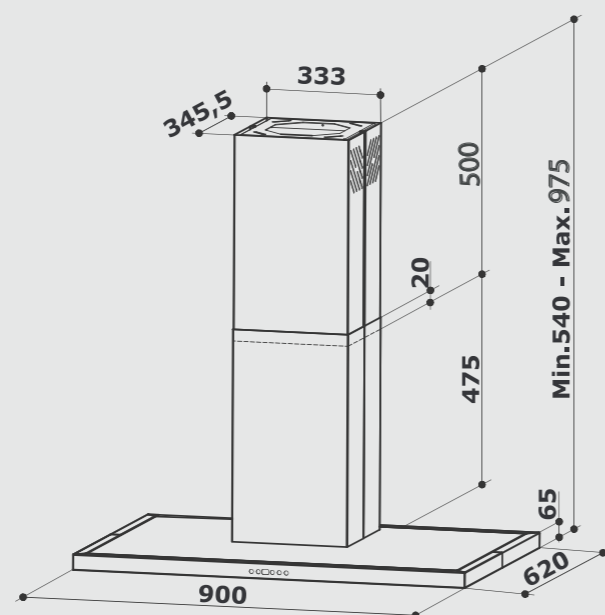
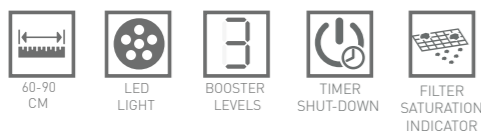


LD136 GL- 90-PRO

Island/Inox+Black

MAIN FEATURES

- 90 cm Island-type Inclined Hood
- Double Side Electronic Control
- 3 Speed
- 2x2 Watt LED Spots
- Aluminum Filter
- 150 mm Air Outlet
- Double Chimney
- Filter Saturation Indicator
- Auto Shut Down Timer
- Noise Level: min 57dB-max 67dB
- Free Flow Extraction Power: 1000 m³/h Motor 200 Watt
- Package Dimensions (WxDxH): 98x71 x62



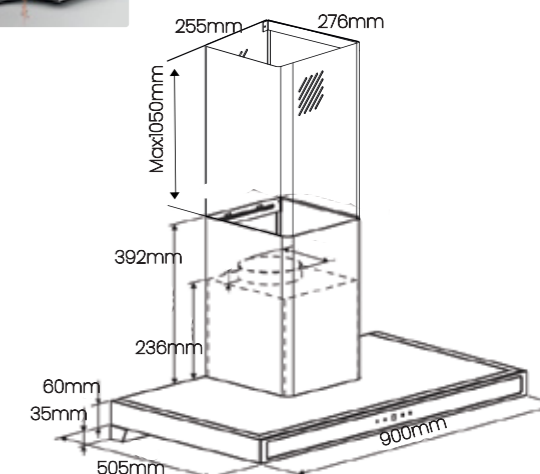
MINT-90-B-PRO



MAIN FEATURES

- TYPE OF APPLIANCE : Wall mounted chimney
- FINISH : Black body + Black tempered glass
- AIR FLOW: 1450m /h
- SPEED : 3
- LAMP TYPE :LED -
- FLITER TYPE : Baffle / Optional Charcoal AIR
- 2 x 2 W
- OUTLET: 150 mm outlet with 2m pipe
- CONTROL : Motion Touch Control OPERATING
- MODE: External /circulation
- COMFORT : Oil Collector Heat clean

Baffle Filter



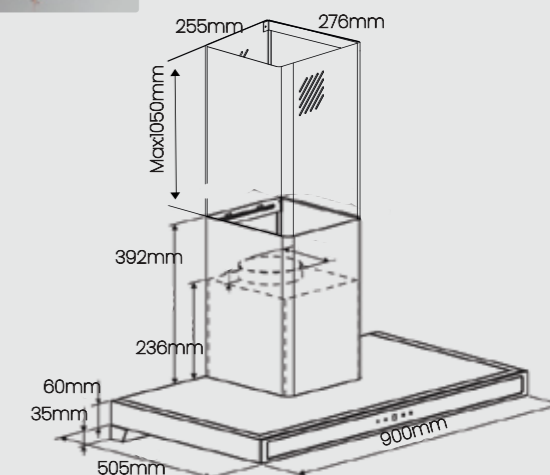
MINT-90-X-PRO



MAIN FEATURES

- TYPE OF APPLIANCE : Wall mounted chimney
- FINISH : Black body + Black tempered glass
- AIR FLOW: 1450m /h
- SPEED : 3
- LAMP TYPE :LED - 2 x 2 W
- FLITER TYPE : Baffle / Optional Charcoal AIR
- OUTLET: 150 mm outlet with 2m pipe
- CONTROL : Motion Touch Control OPERATING
- MODE: External /circulation
- COMFORT : Oil Collector Heat clean

Baffle Filter



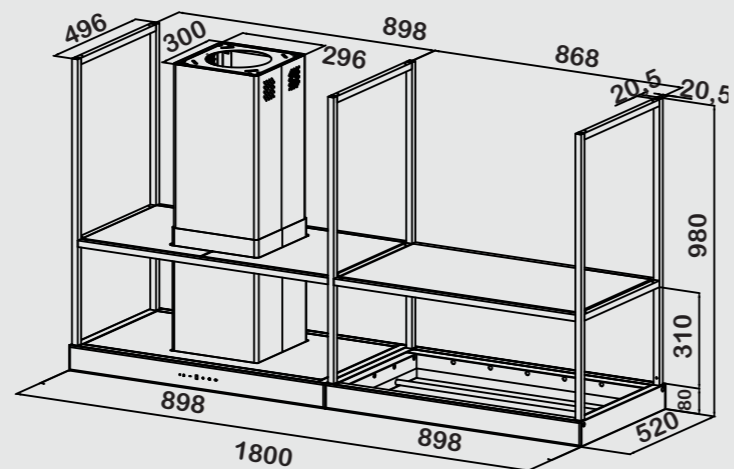
FRAME

Frame-180-B-IS



MAIN FEATURES

- 90 cm ISLAND type cooker hood + 90 cm special construction with
- Fume glass in the middle side
- Anthracite (black grey) painted body and chimney
- Black tempered glass control panel / Control panel height 8 mm
- Touch control on 2 sides /White Lighting
- 5 speeds 1200 m³/h local motor (280 W) / With Metal motor cabin
- 2x Flush led stick / White lighting 2x6W
- Washable Anthracite painted
- Aluminum filter with 4 layer x3
- Timer
- Saturation filter alarm
- Double Oval chimney 2x 600+600 mm
- Air outlet size Ø 150/Ø 120 mm
- Sound level 48 dB
- UK Plug Type
- Voltage : 220-240 V AC/50-60 Hz



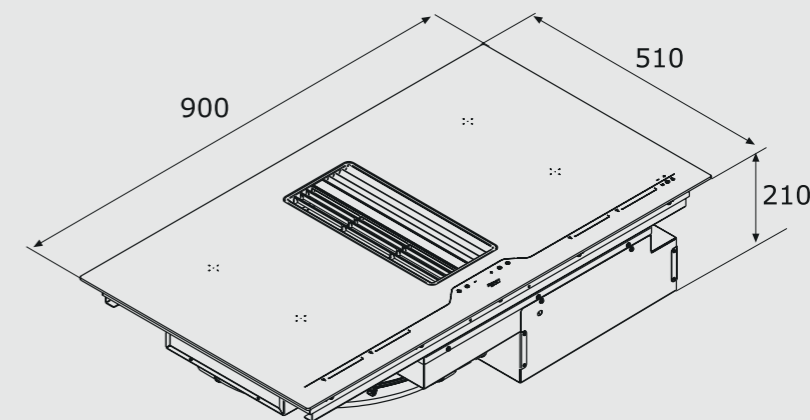
WIDTH 1796 mm DEPTH 520mm HEIGHT 980 mm

ONBOARD FLEX



MAIN FEATURES

- Max air flow: 639 m³/h
- Control: Touch control 6 speeds (5+1 intensive)
- Noise Level: 49/66/70 dB(A)
- Filters: Washable grease filters.
- Charcoal filters for recirculation mode (optional).
- Hobs: 4
- Hobs dimensions: 180x220
- Timer
- Power: 4 x 2,1kW (booster 3,7kW)
- Max power 7,4kW
- Booster: 3 Kw
- Size: 90x51 cm
- Finishing: Glass-ceramic black
- Cut Out: 475x855mm



SINKS



KEY FEATURES



Putting practicality first – made only from solid composite, these sinks are scratch-proof for a longer life.



SCRATCH & DENT PROOF



Never hesitate to put down a hot pot again – CARYSIL sinks are heat resistant up to 280 °C for great durability.



HEAT- RESISTANT



Since yoursink has to be practical as well as beautiful,CARYSIL sinks are stain resistant for long-lasting good looks.



STAIN & DIRT RESISTANT



Enjoy total confidence in using your kitchen your way – CARYSIL sinks are 100 % food safe, making prep easy and hygienic.



FOOD SAFE



Your composite sink is easy tokeep clean soyou will be able to enjoy its flawless finish for years to come.



EASY TO CLEAN



The non-porous surface of the sink ensures greatest hygiene.



HYGIENIC



There is no coating on the sink; the colour is through and through.



COLOUR-FAST



The strength of quartz and bonding of acrylic resin make this sink atough one.



HARD-WEARING



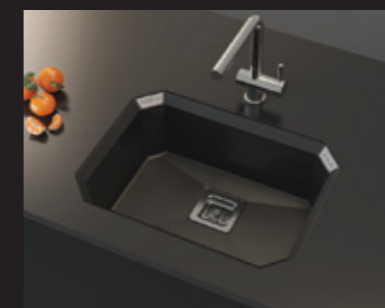
TOP MOUNT

Easy to install with the countertop, this installation becomes the focal point of your kitchen.



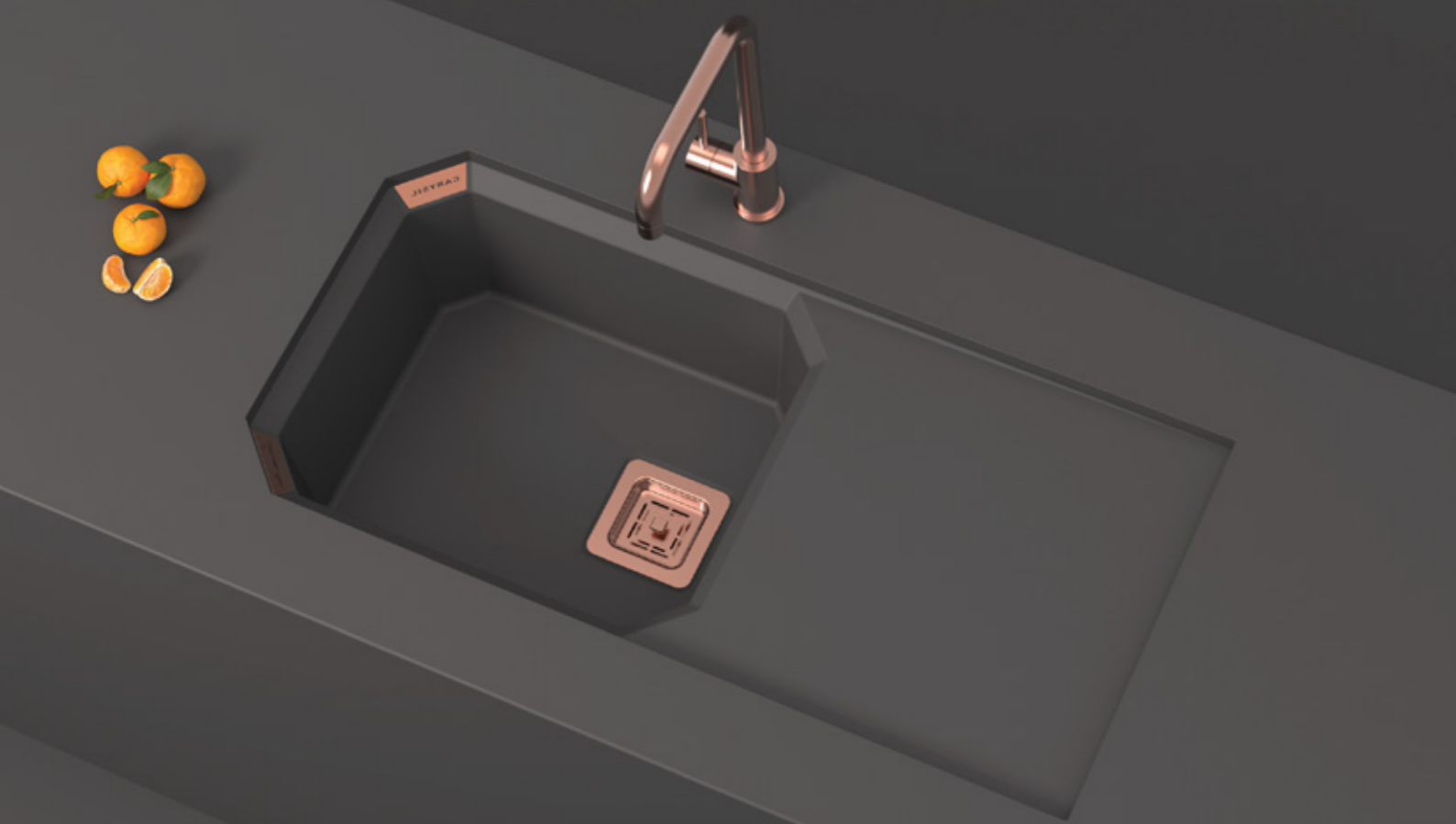
FLUSH MOUNT

With no gaps to collect crumbs and mess, the flush mount installation is the practical & stylish choice for a modern kitchen.



UNDER MOUNT

This installation creates a clean and uninterrupted surface, optimizing space and making cleaning a breeze.



CHARCOAL 2418



Dimensions

Sink: 914 mm x 457 mm
Bowls: 480 mm x 365 mm x 200 mm

Installation

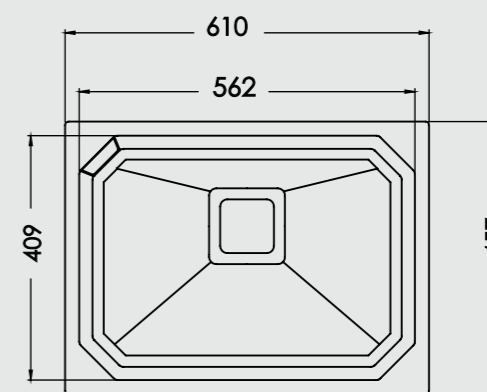
Top Mount Flush Mount Under Mount



SAND 2418



SNOW 2418



CRYSTAL

CHARCOAL 3618



SAND 3618



SNOW 3618

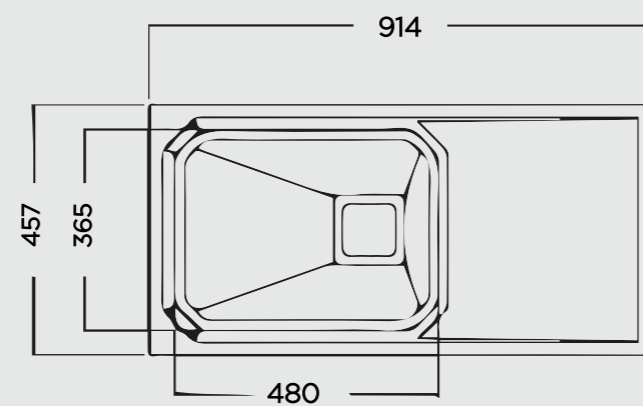
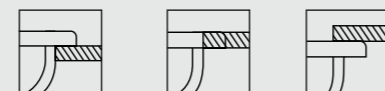


Dimensions

Sink: 914 mm x 457 mm
Bowls: 480 mm x 365 mm x 200 mm

Installation

Top Mount Flush Mount Under Mount





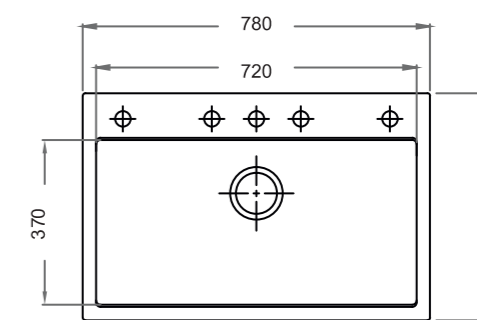
WALTZ 780 NERA



WALTZ 780 METALLIC



WALTZ 780 SNOVA



Size: 780x510x220mm

RETRO A100



Dimensions

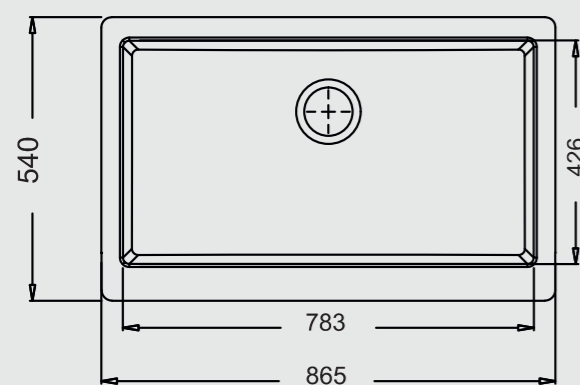
Sink: 865 mm × 540 mm
Bowl: 783 mm × 426 mm × 229 mm

Installation

Top Mount Flush Mount Under Mount



colors



ACCESSORIES FOR WALTZ 780 WORKSTATION SINK IN ROSE GOLD & BLACK



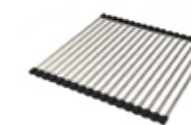
Faucet



Soap Dispenser



Plumbing Kit



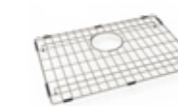
Fold Matt



Chopping Board



Flexible Basket



Floor Grid



Colander



Black Faucet



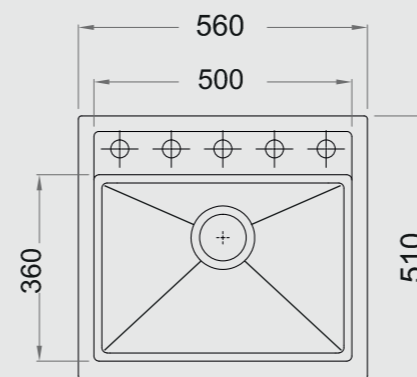
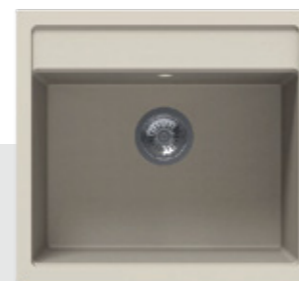
Black Soap Dispencer



Black Plumbing Kit



WALTZ 560



Dimensions

Sink: 560 mm x 510 mm
Bowls: 500 mm x 360 mm x 200 mm

Installation

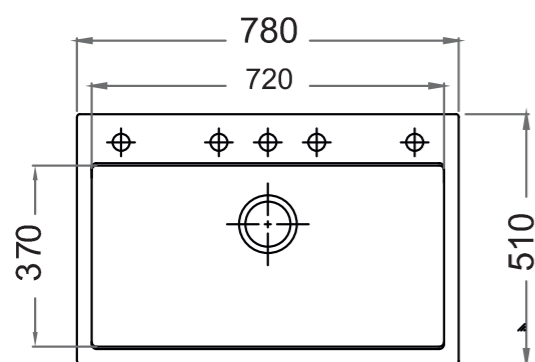


colors



WALTZ 780

Quartz sink with single bowl



Dimensions

Sink: 780 mm x 510 mm
Bowls: 720 mm x 370 mm x 220 mm

Installation



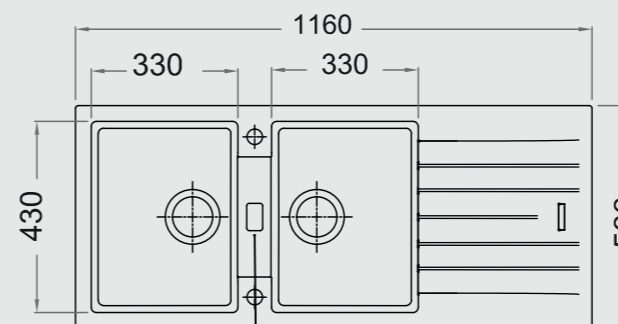
colors





TIP TOE D200

Quartz sink with double bowls + drainer



Also available without steel cap

Dimensions

Sink: 1160 mm x 500 mm
Bowls: 330 mm x 430 mm x 200 mm

Installation

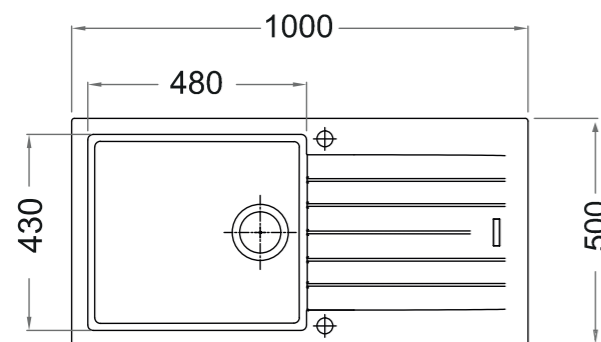


colors



TIP TOE D100L

Quartz sink with large single bowl + long drainer



Dimensions

Sink: 1000 mm x 500 mm
Bowls: 450 mm x 430 mm x 200 mm

Installation

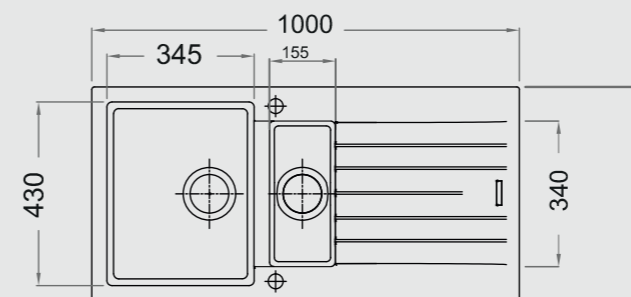


colors



TIP TOE D150

Quartz sink with single and half bowl + drainer



Dimensions

Sink: 1000 mm x 500 mm
Bowls: 330 mm x 430 mm x 200 mm
Half bowl: 155 mm x 340 mm x 146 mm

Installation

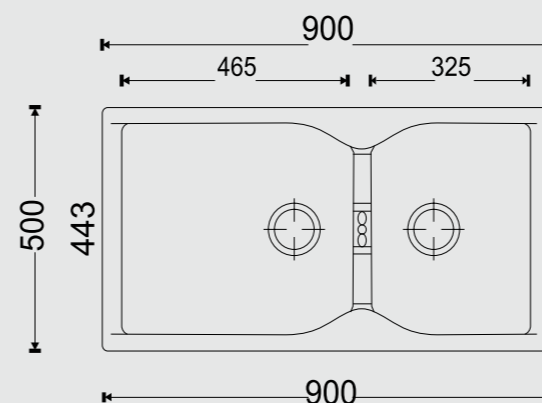


colors



LARGO 3620

Quartz sink with double bowls



Dimensions

Sink: 900 mm x 500 mm
Left Bowl: 465 mm x 443 mm x 230 mm
Right Bowl: 325 mm x 443 mm x 230 mm

Installation

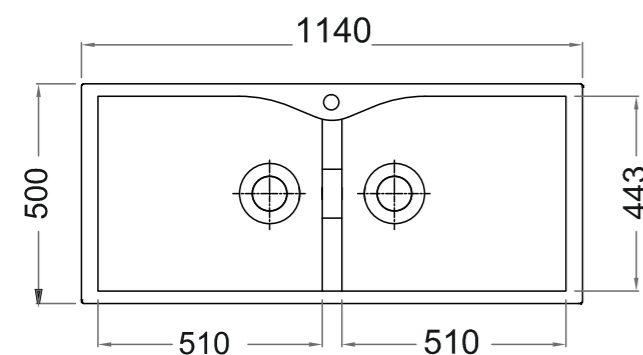


colors



LARGO 4520

Quartz sink with double bowls



Dimensions

Sink: 1140 mm x 500 mm
Left Bowl: 465 mm x 443 mm x 230 mm
Right Bowl: 510 mm x 443 mm x 230 mm

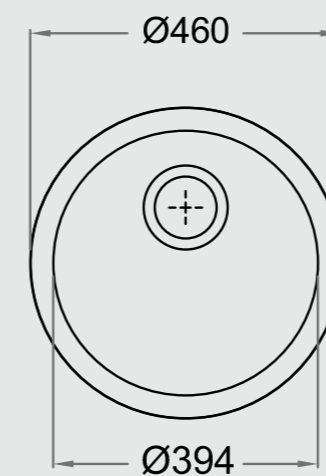
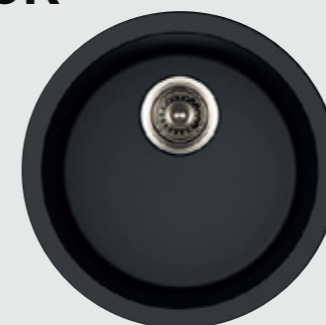
Installation



colors



ROCK



Dimensions

Sink: Ø 460mm
Bowl: Ø 394mm, depth: 190 mm

Installation



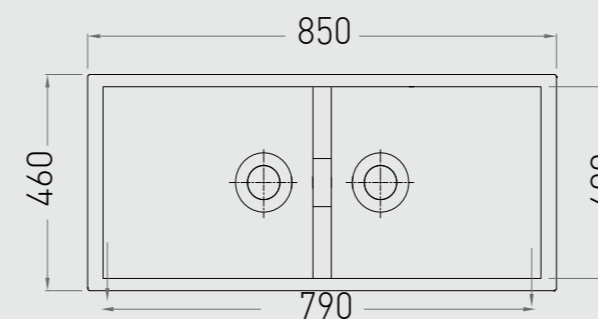
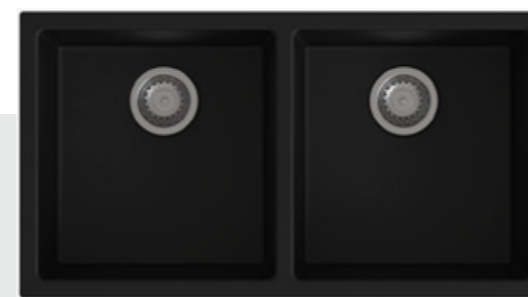
colors





ENIGMA N100 S

Quartz sink with single bowl *small*



Dimensions

Sink: 850 mm x 460 mm
Bowl: 380 mm x 400 mm x 200 mm

Installation

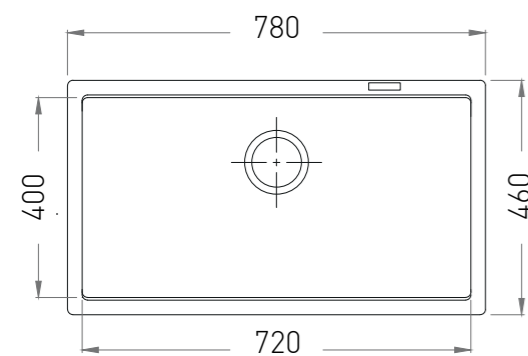


colors



ENIGMA N100 L

Quartz sink with single bowl



Dimensions

Sink: 780 mm x 460 mm
Bowl: 720 mm x 400 mm x 220 mm

Installation



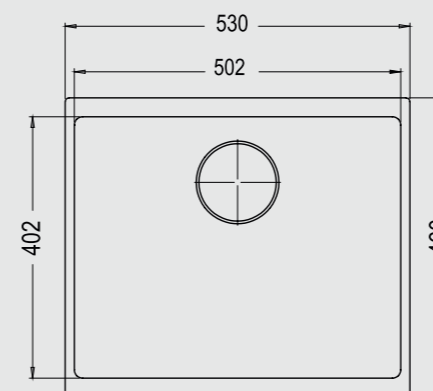
colors





ENIGMA N100 S

Quartz sink with single bowl *small*



Dimensions

Sink: 530 mm × 460 mm

Bowl: 500 mm × 400 mm × 200 mm

Installation

Top Mount Flush Mount Under Mount

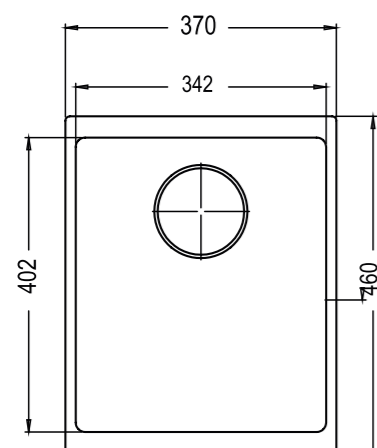


colors



ENIGMA N100 N

Quartz sink with single bowl *nano*



Dimensions

Sink: 370 mm × 460 mm

Bowl: 340 mm × 400 mm × 200 mm

Installation

Top Mount Flush Mount Under Mount

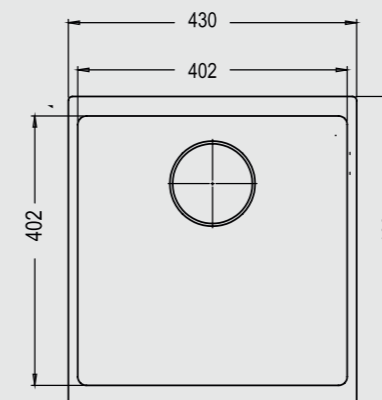


colors



ENIGMA N100 M

Quartz sink with single bowl *maga*



Dimensions

Sink: 430 mm × 460 mm

Bowl: 400 mm × 400 mm × 200 mm

Installation

Top Mount Flush Mount Under Mount



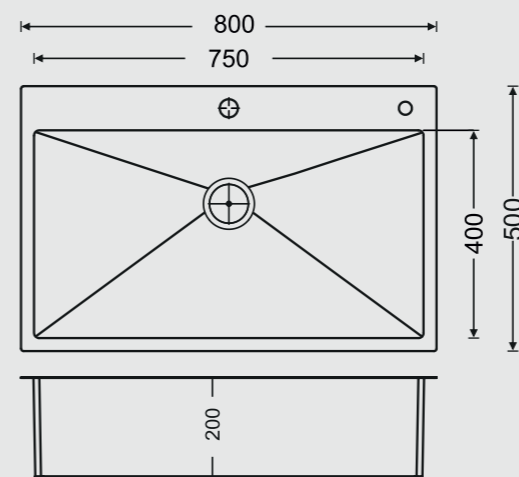
colors



Half bowl: 155 mm x 340 mm x 146 mm



WZS 610 78



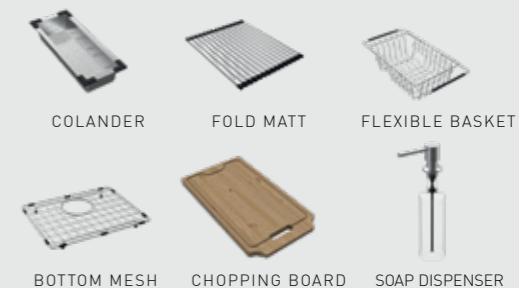
Dimensions

Sink: 800 mm x 500 mm
Bowls: 750 mm x 400 mm x 200 mm

Installation

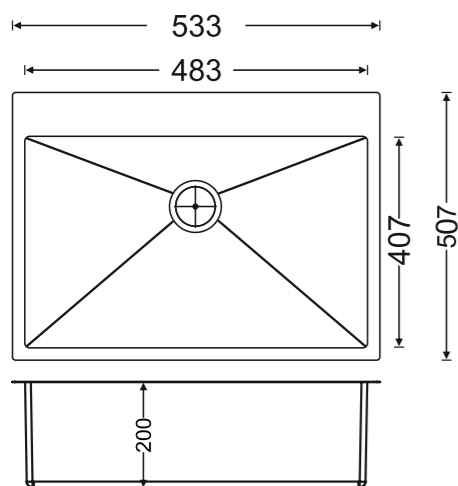


Waltz Accessors



STAINLESS STEEL WALTZ

WZS 610 56



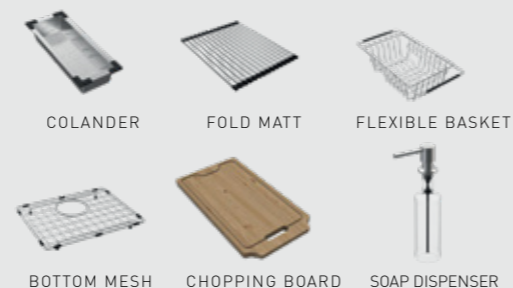
Dimensions

Sink: 533 mm x 507 mm
Bowls: 483 mm x 407 mm x 200 mm

Installation

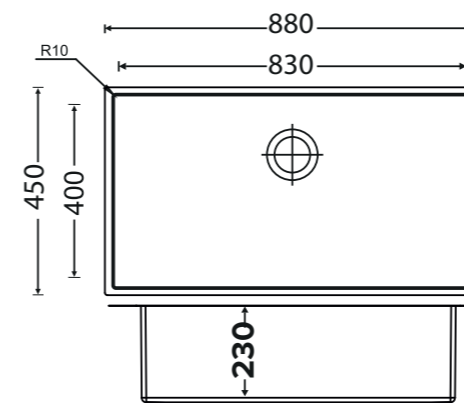


Waltz Accessors





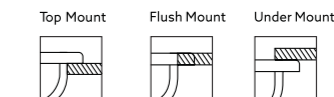
MQS 210 88/83



Dimensions

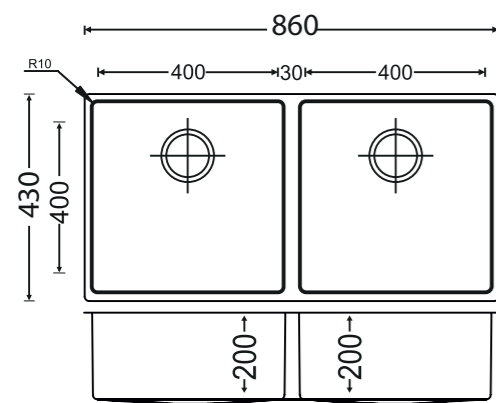
Sink: 880 mm x 450 mm
Bowls: 830 mm x 400 mm x 230 mm

Installation



MICRO RADIUS

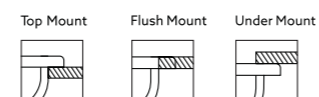
MQS 220 86/83



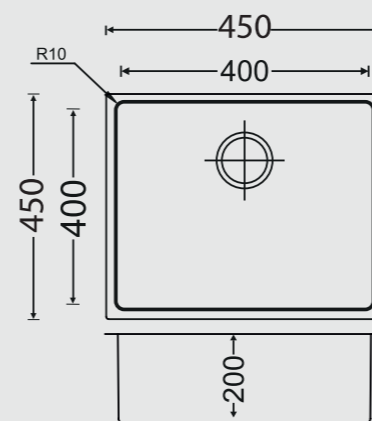
Dimensions

Sink: 860 mm x 430 mm
Bowls: 400 mm x 400 mm x 200 mm

Installation



MQS 210 45/40



Dimensions

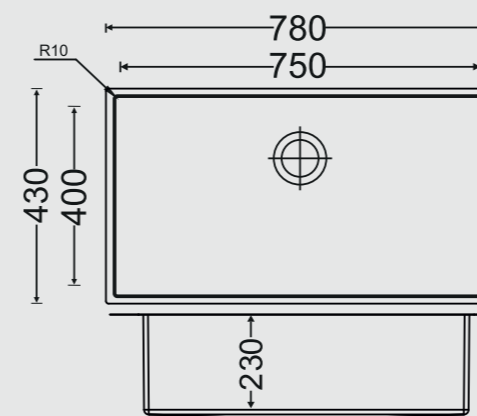
Sink: 450 mm x 450 mm
Bowls: 400 mm x 400 mm x 200 mm

Installation





MQS 210 78/75



Dimensions

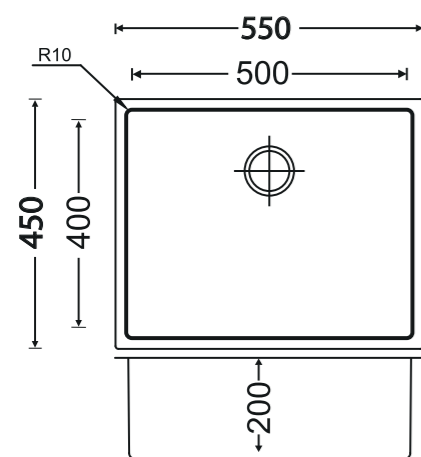
Sink: 780 mm x 430 mm
Bowls: 750 mm x 400 mm x 230 mm

Installation



MICRO RADIUS

MQS 210 55/50



Dimensions

Sink: 550 mm x 450 mm
Bowls: 500 mm x 400 mm x 200 mm

Installation





GERMAN DESIGN

GDS 611 116



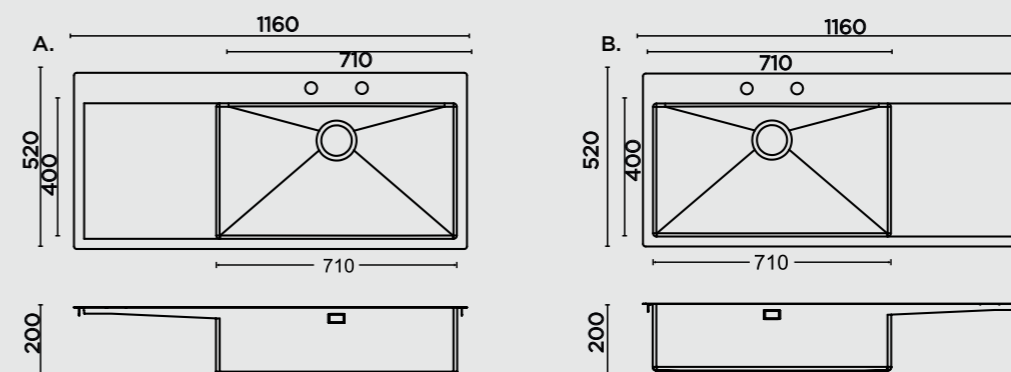
Dimensions

Sink: 1000 mm x 500 mm
Bowls: 450 mm x 430 mm x 200 mm

Installation



- RH & LH
DIMENSIONS (mm)



FARM HOUSE SINK

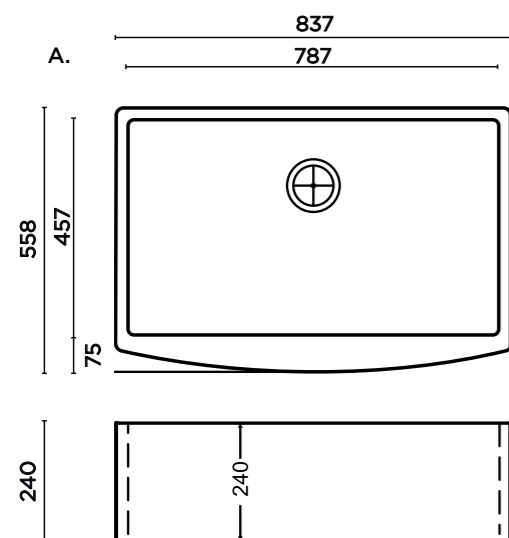
FHS 711 80



Dimensions

Sink: 1000 mm x 500 mm
Bowls: 450 mm x 430 mm x 200 mm

Installation





MIXER

POLO



SNOVA
PO 300KT SN/06



NERA
PO 300KT NE/06



CHAMPAGNE
PO 300KT CH/06



STAINLESS STEEL
PO 300KT ST304/06



MATT BLACK
PO 300KT MB/06

Dimensions

CARYSIL POLO

- Single lever kitchen mixer swivel spout, aerator
- 6 l', flex hoses 55cm 1/2" F, ceramic cartridge 0-90° Carysil

POLO PRO PULL OUT MIXER



STAINLESS STEEL
PO 500KTPRO ST304/06



NERA
PO 500KTPRO NE/06

Dimensions

CARYSIL POLO_PRO

- Single lever kitchen mixer with pull down hand shower, aerator
- 6 l', flex hoses 55cm 1/2" F, ceramic cartridge 0-90° Carysil 304

PERLA



STAINLESS STEEL
PE 300KT ST304/06

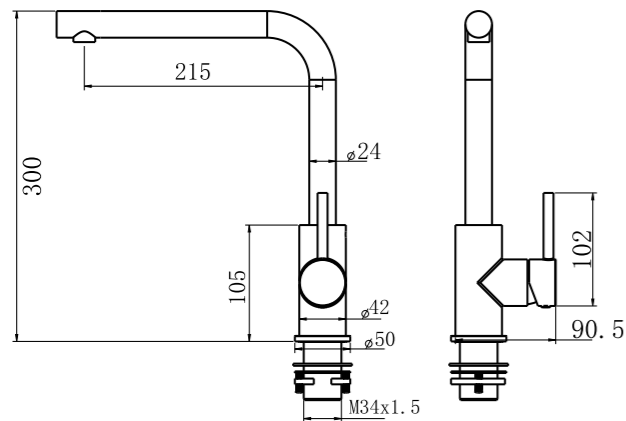


NERA
PE 300KT NE/06



MATT BLACK
PE 300KT MB/06

Dimensions



CARYSIL PERLA

- Single lever kitchen mixer swivel spout aerator 6L,
- flex hoses 55cm 1/2" F, ceramic cartridge 0-90° Carysil 304

PERLA PRO PULL OUT MIXER



NERA
PE 700KTPRO NE/06



SNOVA
PE 700KTPRO SN/06



MATT BLACK
PE 700KTPRO MB/06

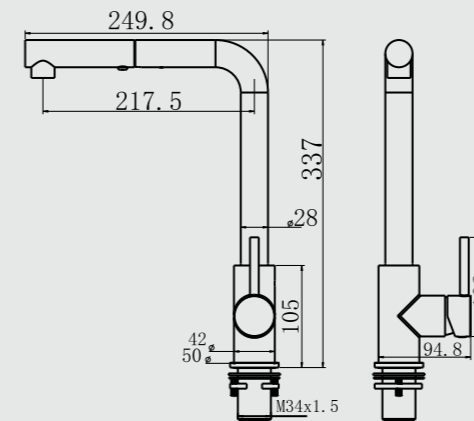


CHAMPAGNE
PE 700KTPRO CH/06



STAINLESS STEEL
PE 700KTPRO ST304/06

Dimensions



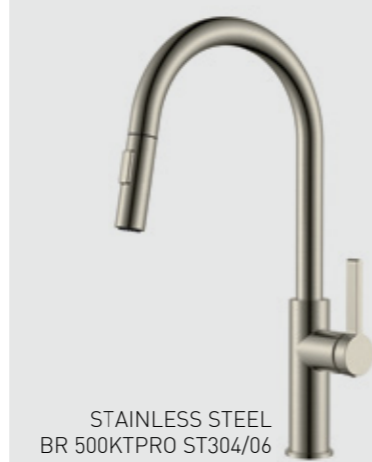
CARYSIL PERLA_PRO

- Single lever kitchen mixer with pull out hand shower ,aerator
- 6 l',flex hoses 55cm 1/2" F,ceramic cartridge 0-90° Carysil

BERLIN PRO PULL OUT MIXER



CHAMPAGNE
BR 500KTPRO CH/06



STAINLESS STEEL
BR 500KTPRO ST304/06



NERA
BR 500KTPRO NE/06

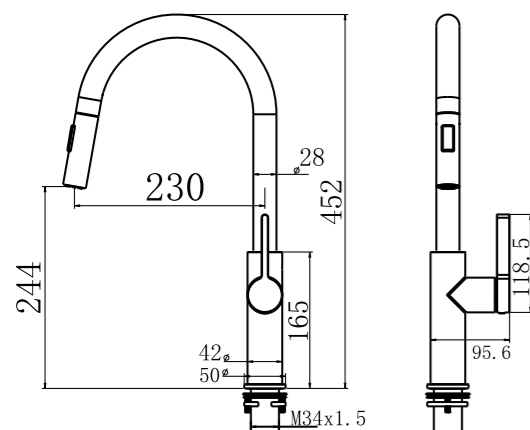


SNOVA
BR 500KTPRO SN/06



MATT BLACK
BR 500KTPRO MB/06

Dimensions



CARYSIL BERLIN_PRO

- Single lever kitchen mixer with pull down hand shower ,aerator 6 l',flex
- hoses 55cm 1/2" F,ceramic cartridge 0-90° Carysil SNOVA

CLASSIC



LONDON

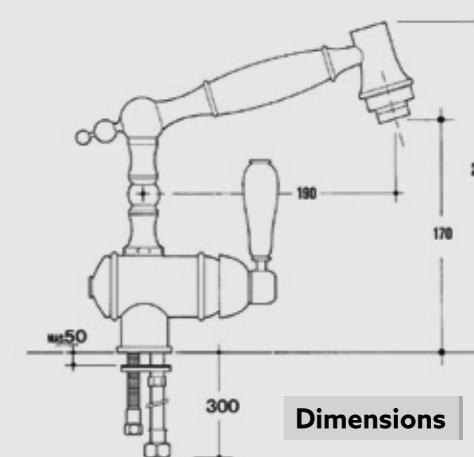
One-lever sink mixer with shower



BRONZE
850VFO



GRAPHITE
850GF



Dimensions

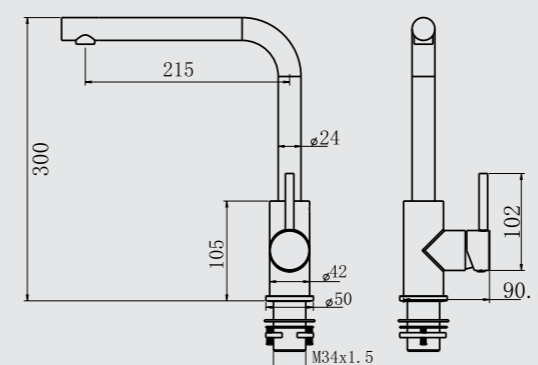


PERLA316

OUTDOOR



STAINLESS STEEL
PE 300KT ST 316/06



CARYSIL PERLA

- Single lever kitchen mixer swivel spout aerator 6L,
- flex hoses 55cm 1/2" F, ceramic cartridge 0-90° Carysil 304

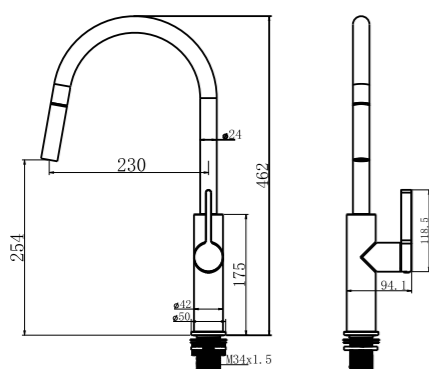
OUTDOOR MIXERS

BERLIN PR0316 PULL OUT MIXER

OUTDOOR



STAINLESS STEEL
BR 500KT PRO ST 316/06



CARYSIL BERLIN_PRO

- Single lever kitchen mixer with pull down hand shower ,aerator 6 l',
- flexhoses 55cm 1/2" F, ceramic cartridge 0-90° Carysil SNOVA it

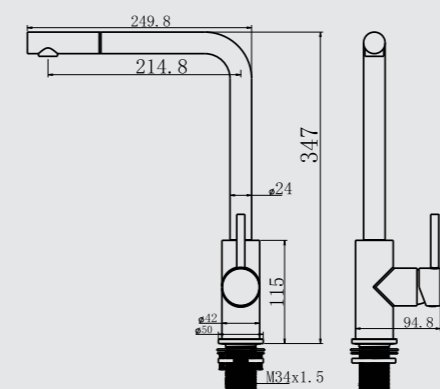


PERLA PR0316

OUTDOOR



STAINLESS STEEL
PR700KT PRO ST 316/06



CARYSIL PERLA_PRO

- Single lever kitchen mixer with pull out hand shower ,aerator 6 l'
- flex hoses 55cm 1/2" F, ceramic cartridge 0-90° Carysil